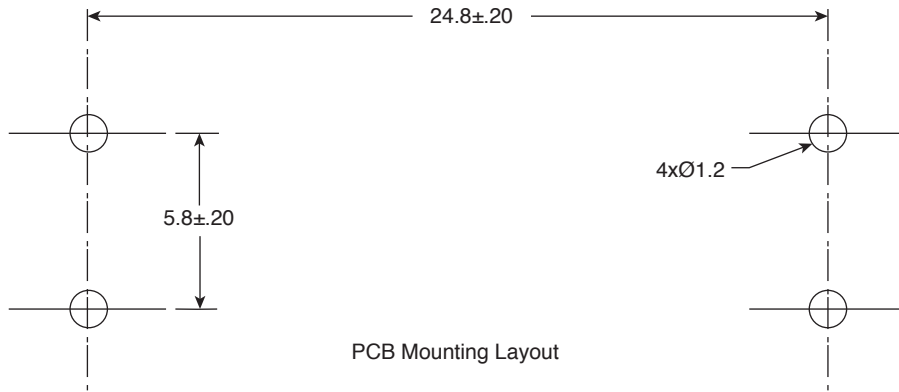
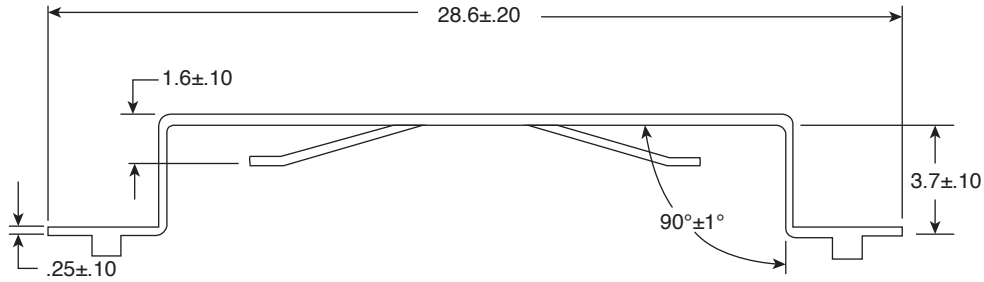
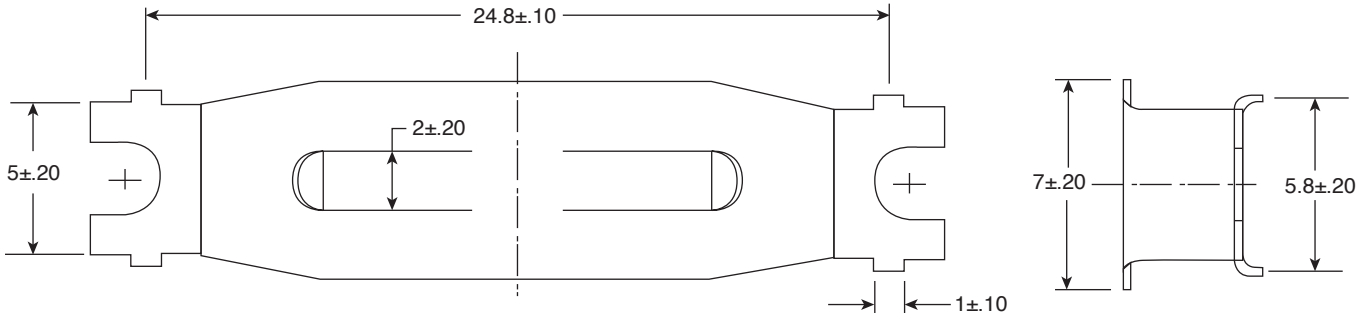


DIMENSIONS: mm



PCB Mounting Layout

SPECIFICATIONS	
Material:	0.25mm Thick Phosphor Bronze C5191 Nickel Plated
Battery Size:	CR2032
RoHS Compliant	